



EnerSol 40, 50

— 0/+5 WP POSITIVE TOLERANCE

🏠 ROOFTOP AND OFF-GRID DESIGN

✓ HIGH QUALITY

25 year linear performance warranty
5 year product warranty

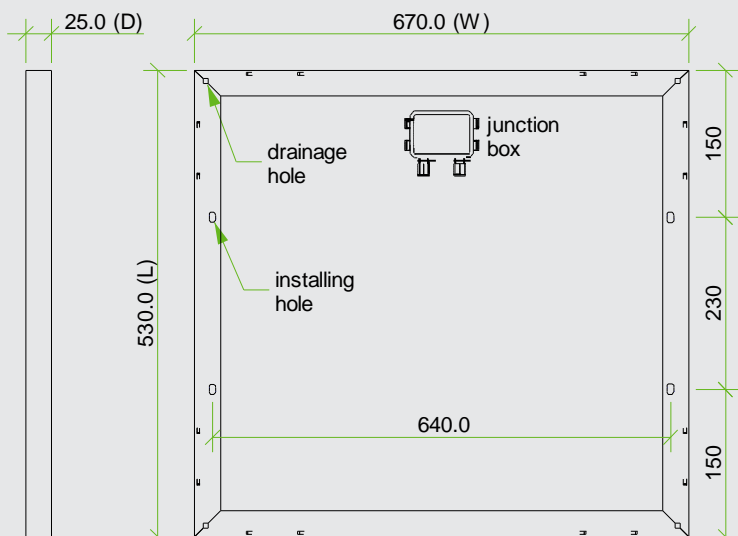


enerSol

High quality solar panels designed for rooftop and off-grid applications

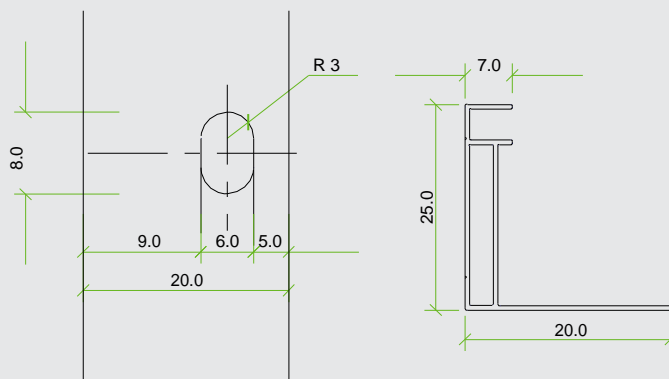


EnerSol 40, 50



General characteristics

Cell	Polycrystalline solar cell 156 x 52 mm
No. of Cells (Connections)	36 (4x9)
Panel Dimensions	530 x 670 x 25 mm
Weight	4.4 kg
Connectors and Cables	101.5 cm for 40Wp/ 102 cm for 50Wp and MC4 connectors



Thermal conditions

Normal Operating Cell Temperature
800W/m² Irradiance, 20°C, AM = 1.5

48°C ± 2°C

Power Temperature Coefficient

- 0.5%/K

Current Temperature Coefficient

0.035%/K

Voltage Temperature Coefficient

- 0.37 MV/K

Limits

Operating Temperature

- 40°C to 85°C

Maximum System Voltage

1000V DC

Electric performance at STC *

	40Wp	50Wp
Maximum Power	40Wp	50Wp
Power Tolerance	0/+5 Wp	0/+5 Wp
Maximum Power Voltage	18V	18V
Maximum Power Current	2.22A	2.78A
Open Circuit Voltage	22.1V	22.4V
Short Circuit Current	3.06A	3.68A

*Standard Test Conditions : 1000W/m² irradiance, 25°C and AM = 1.5

High performance

25

25 Years
linear performance

5

5 Years
product warranty

